



### Features and Applications:

- Standard Meter Box Sizes Available
- Can be specified with or without Meter Reading Lid
- Meet or Exceed Federal Specification RR-F-621D for minimum proof load of 25,000 lbs. on 9 inch by 9 inch area
- **MEGA-BOND®** Coating System
- Patented Self-Closing Lid
- Constructed of ASTM A536 Ductile Iron
- Incidental Traffic Load Rating

The EBAA-Cover™ Meter Box Covers are manufactured from ASTM A536 Ductile Iron and may be specified for use with potable and non-potable water. The EBAA-Cover may also be specified in standard sizes and configurations, including: solid covers, covers with meter reading lids, and touch read ports. The EBAA-Cover meets or exceeds the Federal Specification RR-F-621D for a minimum proof load of 25,000 pounds on a 9 inch by 9 inch area. EBAA-Covers are made in the U.S.A. and are 100% ARRA 2009 Compliant. Custom Logo and Lettering is available upon request. For more options, speak to your local EBAA Representative.

### Sample Specification

Meter Covers shall consist of the following: The cover shall be manufactured of ASTM A536 Ductile Iron. If specified with a meter reading access lid (door), the lid shall be manufactured of ASTM A536 Ductile iron. Visual indication denoting either potable or non-potable water. The cover shall meet or exceed the applicable Federal Specification RR-F-621D standards. The cover shall be coated using MEGA-BOND® (for more information regarding MEGA-BOND refer to [www.ebaa.com](http://www.ebaa.com)) The cover shall be EBAA-Cover™ as manufactured by EBAA IRON, Inc. or approved equal.

Members of...



### EBAA IRON Sales, Inc.

P.O. Box 857, Eastland, TX 76448

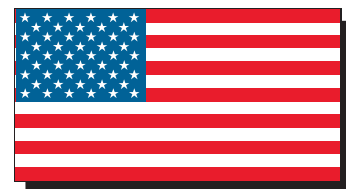
Tel: (254) 629-1731

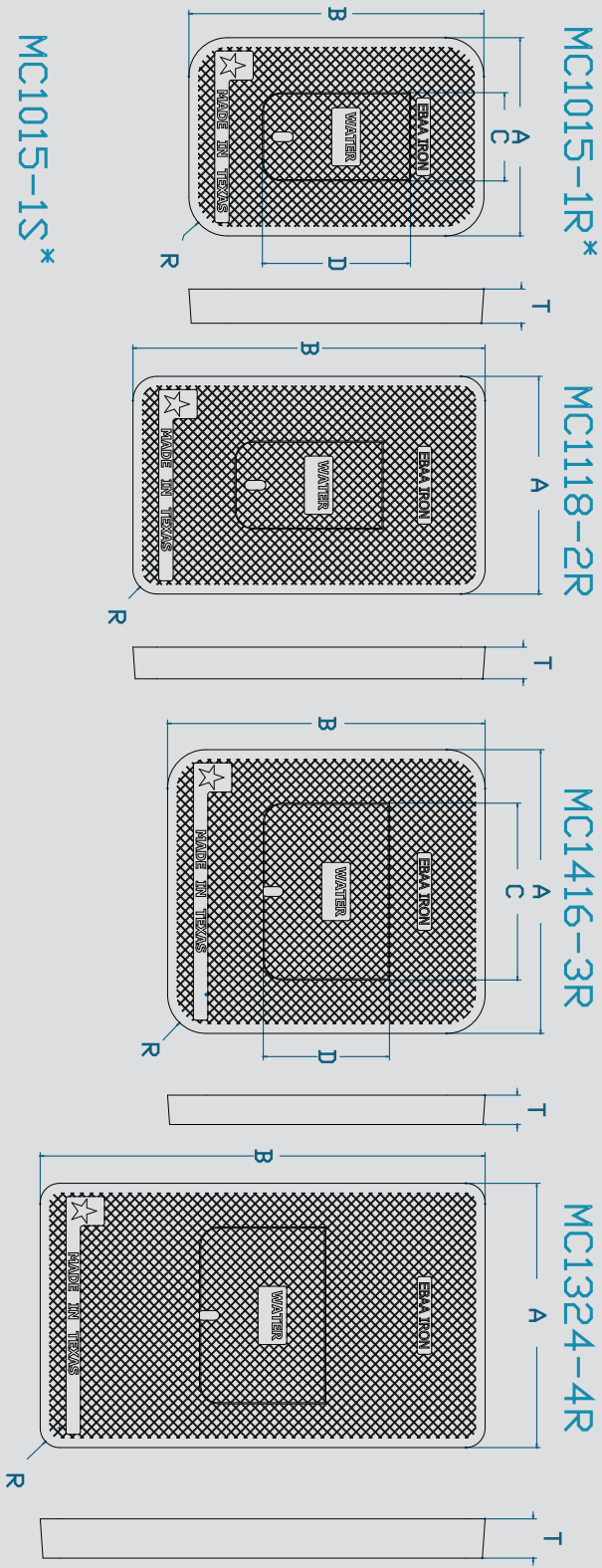
Fax: (254) 629-8931

(800) 433-1716 within US and Canada

[contact@ebaa.com](mailto:contact@ebaa.com)

[www.ebaa.com](http://www.ebaa.com)





EBAA IRON

MADE IN USA

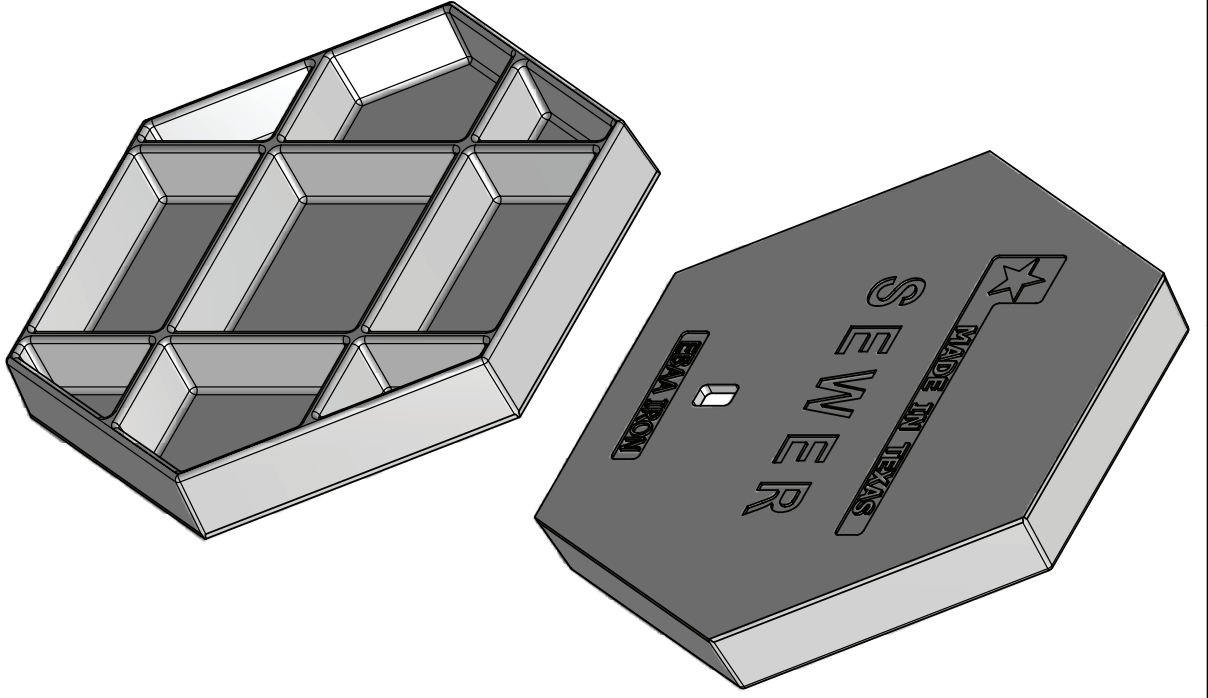
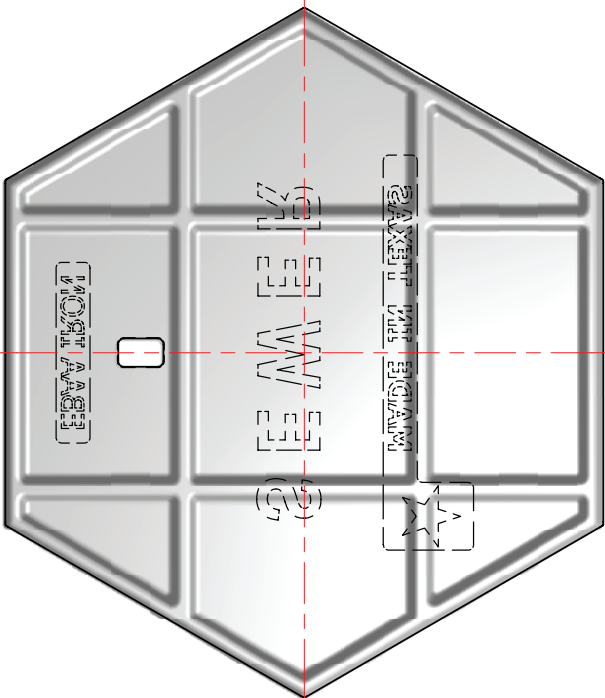
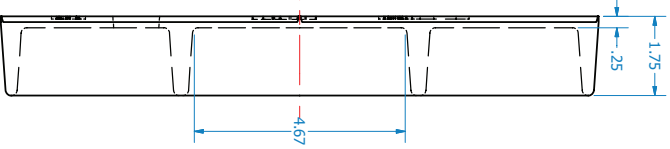
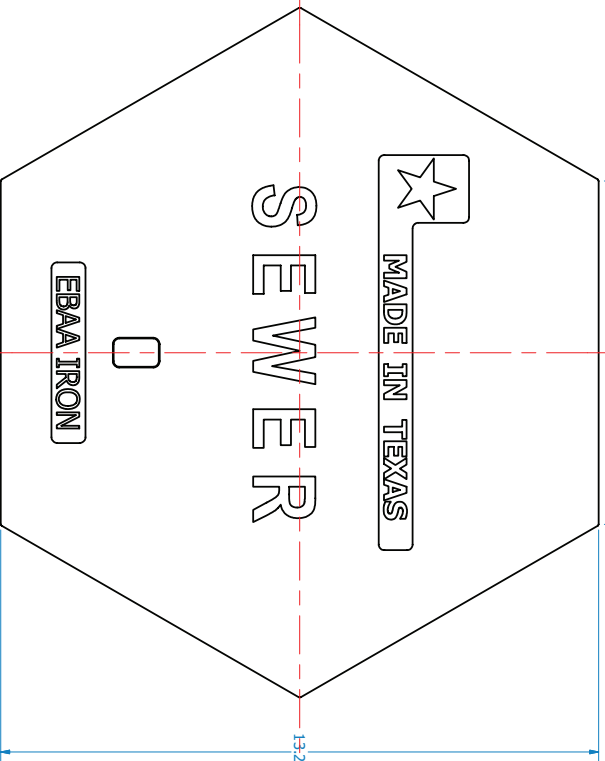
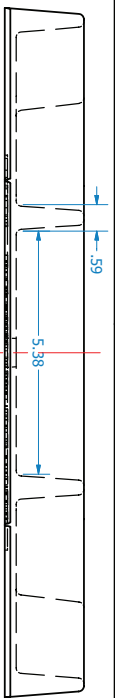
MC1015-1S\*

\*S = SOLID COVER  
R = READER ACCESS (DDDR)

EITHER ARE AVAILABLE IN ALL SIZES

Series Number	A	B	T	D	C	R	Draft	Weight
MC1015-1R	10.20	15.33	1.76	7.70	4.54	2.00	4°	18.2
MC1015-1S	10.20	15.33	1.76	-	-	2.00	4°	21.4
MC1118-2R	11.20	18.13	1.63	7.70	4.54	1.25	4°	22.0
MC1118-2S	11.20	18.13	1.63	-	-	1.25	4°	23.0
MC1416-3R	14.60	16.50	1.51	6.56	9.10	2.00	4°	31.0
MC1416-3S	14.60	16.50	1.51	-	-	2.00	4°	34.5
MC1324-4R	13.60	23.12	2.02	6.56	9.10	1.00	4°	33.0
MC1324-4S	13.60	23.12	2.02	-	-	1.00	4°	37.0

NOTE: Dimensions are in inches and weights are approximate



DRAWN	8/12/2010	P. O. Box 877, Eastland, TX 76448 800.633.9190	
CHECKED		TITLE	
QA		JCO Sewer Cover	
MFG		SIZE	DWG NO
APPROVED		C	JCO - Sewer
		SCALE	REV