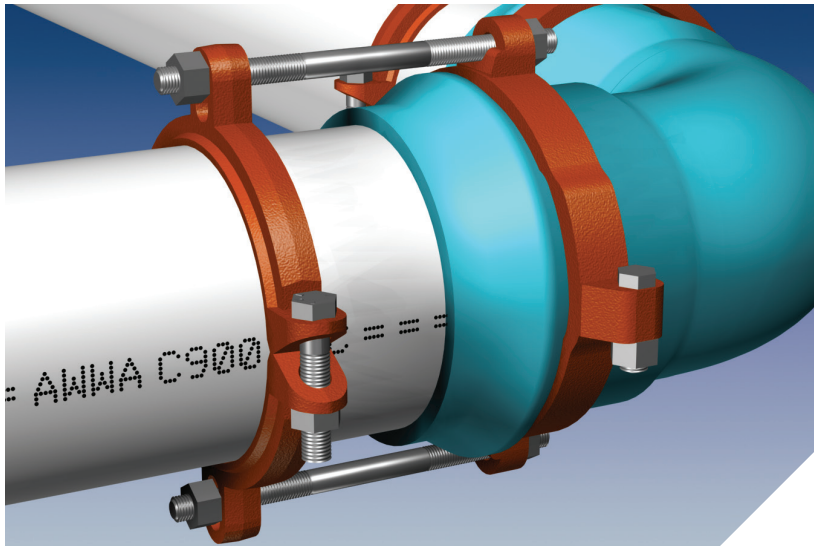
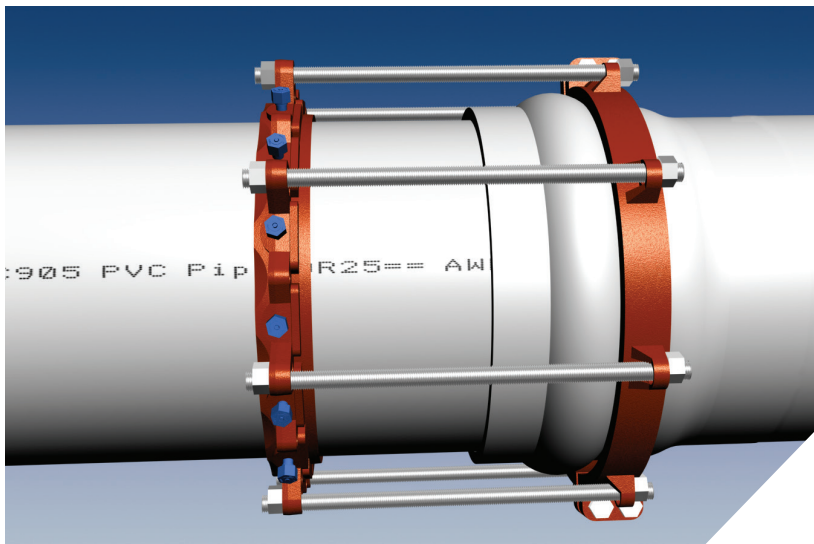


# Series 2500

Restraint for C900 PVC Pipe at PVC Fittings



Series 2508 restraining 8" PVC pipe to a PVC fitting.



Series 2524 restraining 24" PVC pipe at a PVC Fittings.

## Features and Applications:

- For use on AWWA C900-16 PVC pipe when restraining to molded or fabricated PVC fittings

Sizes 4 inch through 12 inch - utilize a split, serrated restraint ring and complete harness has a 3 to 1 Safety Factor

Sizes 14 inch through 48 inch - utilize a solid restraint ring and complete harness has a 2 to 1 Safety Factor.

- Split design on PVC fitting for ease of installation
- **MEGA-BOND®** Restraint Coating System  
For more information regarding MEGA-BOND refer to [www.ebaa.com](http://www.ebaa.com)
- Constructed of ASTM A536 Ductile Iron
- Minimum 2 to 1 Safety Factor

For use on water or wastewater pipelines subject to hydrostatic pressure and tested in accordance with either AWWA C600 or ASTM D2774

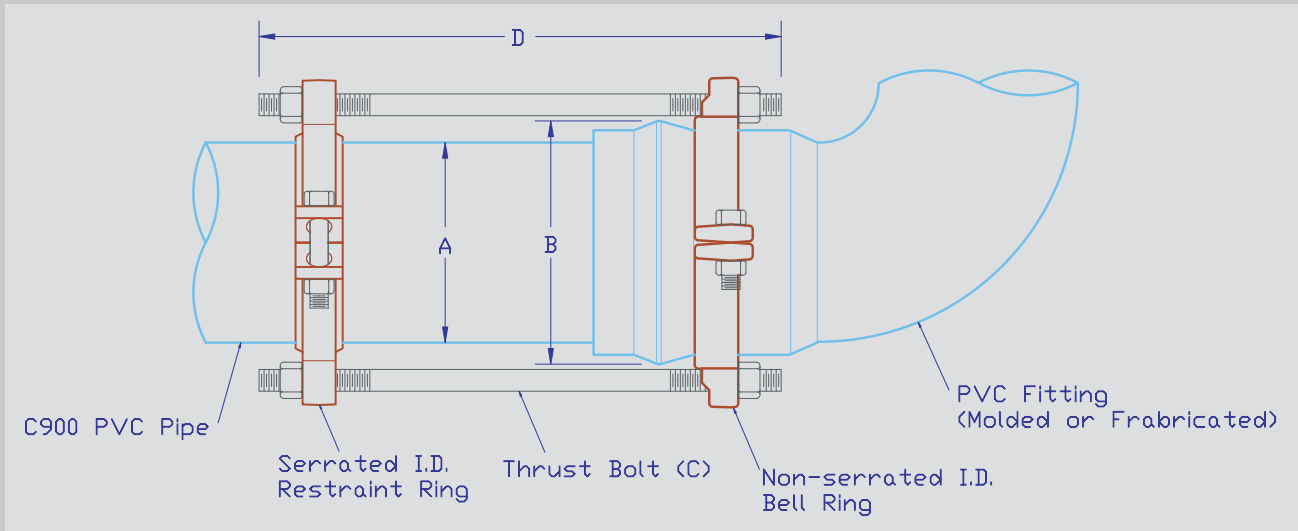
## Pressure Rating (PSI)

Nominal Pipe Size	Series Number	Approximate Weight (lbs.)	DR14	DR18	DR25	DR32.5	DR41	DR51
4	2504	13.9	200	150	100	-	-	-
6	2506	20.5	200	150	100	-	-	-
8	2508	27.3	200	150	100	-	-	-
10	2510	43.8	200	150	100	-	-	-
12	2512	53.3	200	150	100	-	-	-
14	2514	102.7	-	200	165	-	-	-
16	2516	119.6	-	200	165	-	-	-
18	2518	129.7	-	200	165	-	-	-
20	2520	153.5	-	-	165	-	-	-
24	2524	264.8	-	-	165	-	-	-
30	2530	364.4	-	-	125	125	-	-
36	2536	471.0	-	-	125	125	-	-
42	2542	921.4	-	-	-	125	100	80
48	2548	1,056.0	-	-	-	125	100	80

# 4 in. - 12 in., Series 2500 Submittal Reference Drawing

EBAA IRON

MADE IN USA



Nominal Pipe Size	Series Number	A Pipe O.D.	B Maximum Bell O.D. Cleared	C Thrust Bolt (Number - Size)	D Overall Length
4	2504	4.80	6.75	2 - 3/4 x 13	13
6	2506	6.90	8.75	2 - 3/4 x 18	18
8	2508	9.05	12.25	2 - 3/4 x 18	18
10	2510	11.10	14.20	4 - 3/4 x 18	18
12	2512	13.20	16.90	4 - 3/4 x 18	18

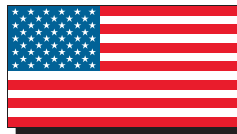
NOTE: Dimensions are in inches (±1%) and are subject to change without notice.

## Sample Specification 2500, 4 inch through 12 inch

Restraint for PVC pipe (AWWA C900-16) at PVC fittings shall consist of the following: The restraint shall be manufactured of ductile iron conforming to ASTM A536. The restraint devices shall be coated using MEGA-BOND™. (For complete specifications on MEGA-BOND visit [www.ebaa.com](http://www.ebaa.com).) Side clamp bolts shall be of SAE J429 Grade 5 material. A split ring shall be utilized on the PVC fitting bell. A serrated ring shall be used to grip the spigot end of the pipe, and a sufficient number of bolts shall be used to connect the bell ring and the gripping ring. The combination shall have a minimum working pressure rating equivalent to the pipe. The restraint shall be the Series 2500, as manufactured by EBAA Iron, Inc., or approved equal.

A Microsoft® Office Word Document version of this Sample Specification may be downloaded from [www.ebaa.com](http://www.ebaa.com).

Members of...



### EBAA IRON Sales, Inc.

P.O. Box 857, Eastland, TX 76448

Tel: (254) 629-1731

Fax: (254) 629-8931

(800) 433-1716 within US and Canada

[contact@ebaa.com](mailto:contact@ebaa.com)

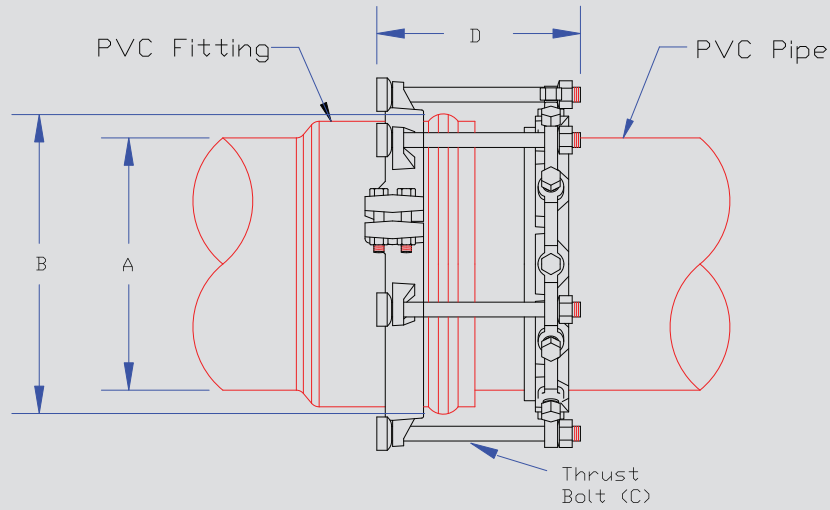
[www.ebaa.com](http://www.ebaa.com)



**14 in. - 48 in., Series 2500 Submittal Reference Drawing**

**EBAA IRON**

**MADE IN USA**



Nominal Pipe Size	Series Number	A Pipe O.D.	B Maximum Bell O.D. Cleared	C Thrust Bolt (Number - Size)	D Overall Length
14	2514	15.30	20.38	5 - 1 x 18	18
16	2516	17.40	22.75	6 - 1 x 18	18
18	2518	19.50	24.88	6 - 1 x 18	18
20	2520	21.60	27.13	7 - 1 x 18	18
24	2524	25.80	31.63	8 - 1¼ x 28	28
30	2530	32.00	39.25	10 - 1¼ x 28	28
36	2536	38.30	46.13	12 - 1¼ x 28	28
42	2542	44.50	49.00	14 - 1¼ x 36	36
48	2548	50.80	56.00	16 - 1¼ x 48	48

NOTE: Dimensions are in inches (±1%) and are subject to change without notice.

**Sample Specification 2500, 14 inch through 48 inch**

Restraint for PVC pipe (AWWA C900-16 & CI O.D.) at PVC fittings shall consist of the following: The restraint shall be manufactured of ductile iron conforming to ASTM A536. Side clamp bolts shall be of SAE J429 Grade 5 material. A split ring shall be utilized on the PVC fitting bell. A restraint ring, incorporating a plurality of individually-actuating gripping surfaces, shall be used to grip the pipe, and a sufficient number of bolts shall be used to connect the bell ring and the gripping ring. The combination shall have a minimum working pressure rating equivalent to the pipe. The restraint devices shall be coated using MEGABOND™. (For complete specifications on MEGABOND visit [www.ebaa.com](http://www.ebaa.com)). The restraint shall be the Series 2500, as manufactured by EBAA Iron, Inc., or approved equal.

A Microsoft® Office Word Document version of this Sample Specification may be downloaded from [www.ebaa.com](http://www.ebaa.com).

Members of...



**EBAA IRON Sales, Inc.**

P.O. Box 857, Eastland, TX 76448

Tel: (254) 629-1731

Fax: (254) 629-8931

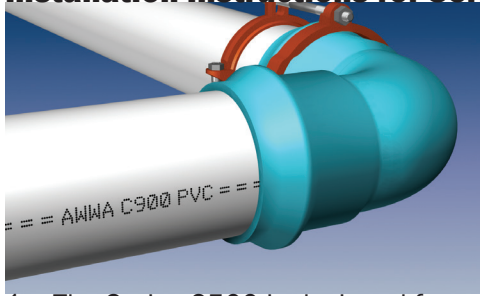
(800) 433-1716 within US and Canada

[contact@ebaa.com](mailto:contact@ebaa.com)

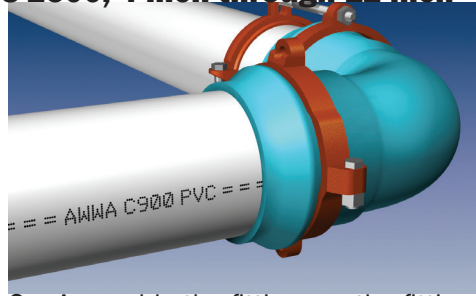
[www.ebaa.com](http://www.ebaa.com)



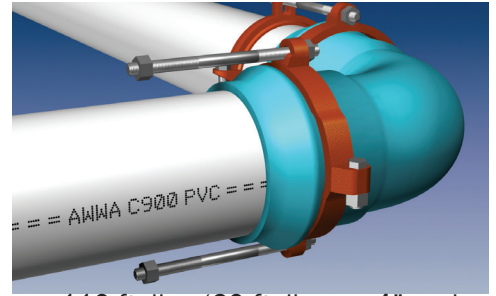
## Installation Instructions for Series 2500, 4 inch through 12 inch



1. The Series 2500 is designed for restraining AWWA C900 PVC pipe to molded or fabricated fittings. It has a split, serrated restraint ring on the spigot and a split non-serrated ring on the fitting.



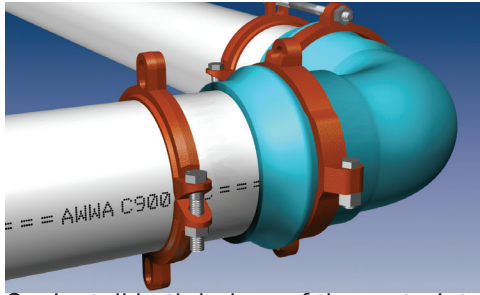
2. Assemble the fitting per the fitting manufacturer's instructions.



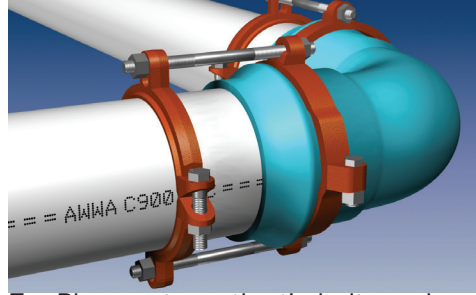
110 ft.-lbs. (60 ft.-lbs. on 4" and 6".)

3. Install both halves of the split non-serrated bell ring on the fitting behind the gasket hump. Install the side bolts and tighten each to

4. Slide the bell ring toward the gasket hump so that it fits snugly behind the gasket hump.



6. Install both halves of the restraint ring at the proper location, tapping each half into place. Make sure that the complete ID of the ring is touching the pipe before installing the side bolts. Tighten the side bolts evenly to 110 ft.-lbs. (60 ft.-lbs. on 4" and 6".)

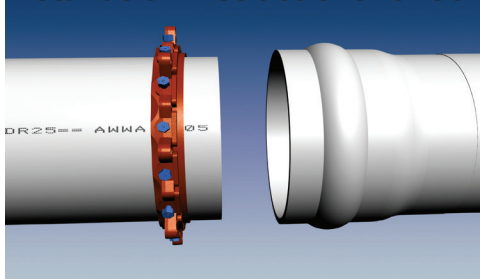


7. Place nuts on the tie bolts and tighten until they are snug. Allow enough room on the tie bolt to fully engage the nut with several threads showing. Do not tighten these bolts enough to force the spigot further into the bell of the fitting.

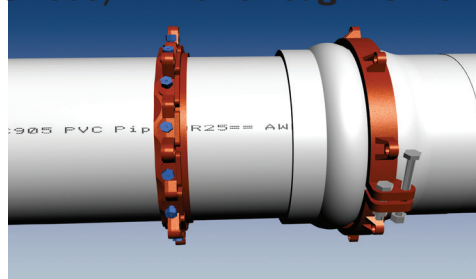
5. Remove the side bolts from the serrated restraint ring. Use the tie bolts to determine the proper location of the restraint ring on spigot. Allow enough room on tie bolt to fully engage the nuts.



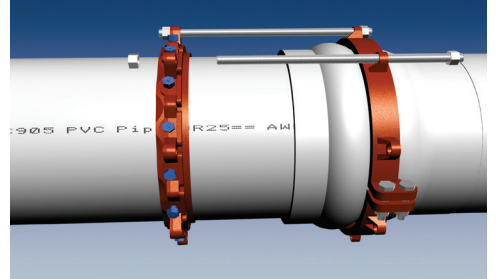
## Installation Instructions for Series 2500, 14 inch through 48 inch



1. Slide the spigot restraint onto the end of the pipe with the lip or the wording "This Side Toward Bell" facing the end of the pipe. Do not tighten the restraint wedges at this time.



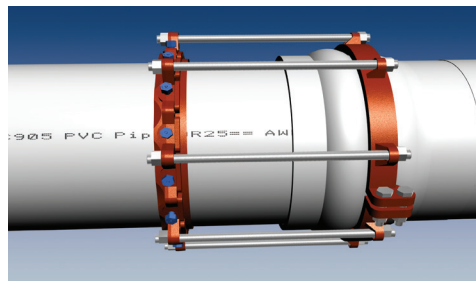
2. Install the backup ring on the fitting bell behind the gasket race as shown. Install the clamp bolts and tighten to 50 ft.-lbs. Keeping an equal gap on both sides.



4. Install the thrust bolts. Thread a nut onto each bolt until there are several threads showing.

3. Assemble the joint according to the manufacturer's instructions.

5. Pull the restraint ring away from the joint until the slack is removed from the thrust bolts. Hand tighten the actuating screws on the restraint ring until all wedges are touching the pipe. Continue tightening the screws in an alternating manner until the torque limiting heads twist off. Tighten thrust bolts until evenly snug being careful not to pull the spigot further into the bell.



### EBAA IRON Sales, Inc.

P.O. Box 857, Eastland, TX 76448

Tel: (254) 629-1731

Fax: (254) 629-8931

(800) 433-1716 within US and Canada

contact@ebaa.com

www.ebaa.com